

## G61H Handheld Thermal Camera



HIKMICRO G61H handheld thermal camera is specially designed for temperature measurement. It's equipped with a 640 × 480 resolution thermal detector. It helps the staff to quickly find the high-temperature targets in the environment. Meanwhile, it provides assistance with decisions and ensures safety. The device is mainly applied to various industries, such as Building, Electrical utilities, oil and gas industry, etc.

### Key Feature

- High sensitivity thermal module with 640 × 480 resolution
- Supports multiple palettes
- High quality optical module with 8 MP resolution
- Bi-spectrum image fusion, picture-in-picture preview
- Wide temperature measurement range: -20°C to 2000°C
- High temperature measurement accuracy: Up to  $\pm 2^{\circ}\text{C}$ ,  $\pm 2\%$
- High-calibre 800 × 480 resolution 4.3" LCD touch display
- Long-distance laser light supplement for thermography targets
- LED light supplement makes the device a torch in required scenarios
- Supports 1.0x to 8.0x continuous digital zoom

## ▪ Specification

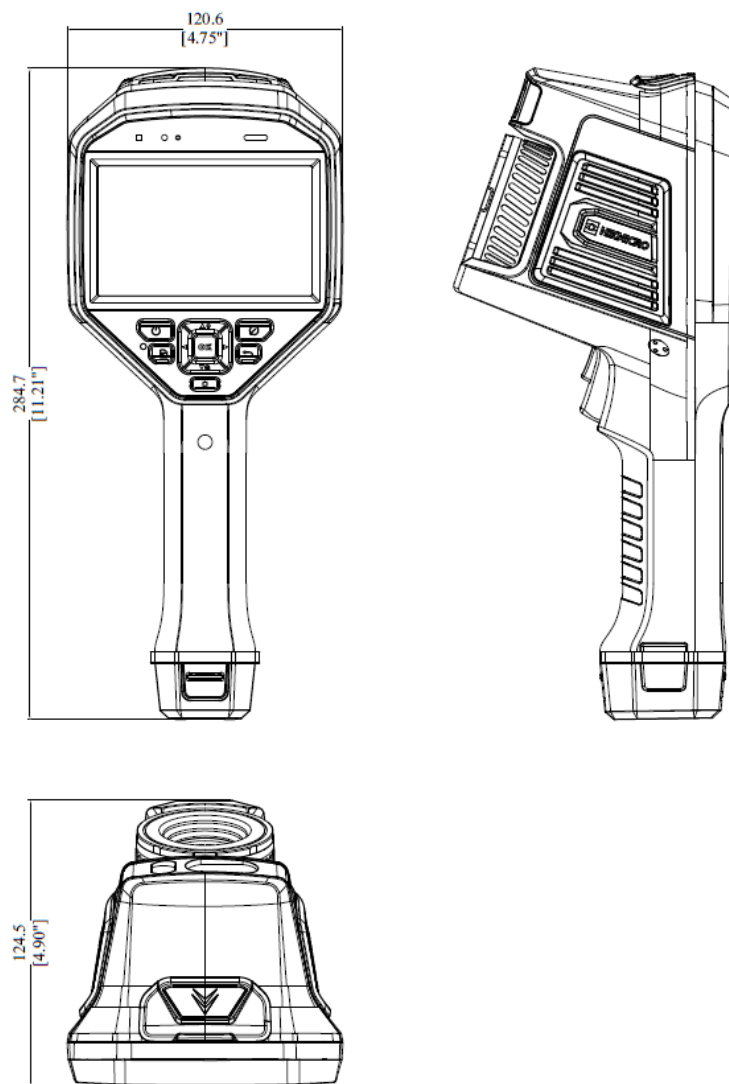
| <b>Infrared Image</b>                 |  |
|---------------------------------------|--|
| IR Resolution                         | 640 × 480 (307,200 pixels)   |
| SuperIR                               | 1280 × 960 (1,228,800 pixels)  |
| NETD                                  | < 35 mK (@ 25°C, F# = 1.0)   |
| Image Frequency                       | 50 Hz  |
| Detector Pitch                        | 17 μm  |
| Spectral Range                        | 7.5 to 14 μm   |
| Focal Length                          | 25 mm  |
| F-number                              | F1.0   |
| Field of View (FOV)                   | 25° × 19°  |
| Spatial Resolution (IFOV)             | 0.68 mrad  |
| Min. Focus Distance                   | 0.3 m (0.98 ft)  |
| Focus Mode                            | Laser Assisted AF/Continuous AF/AF/Manual Focus/Touch AF   |
| Focus Speed                           | Approx. 2 second   |
| <b>Image Display</b>                  |  |
| Visual Camera                         | 3264 × 2448 (8 MP)   |
| Display                               | 800 × 480 Resolution, 4.3" LCD Touch Screen  |
| Screen Brightness                     | Manual/Auto  |
| Digital Zoom                          | 1.0x to 8.0x continuous  |
| Color Palettes                        | White Hot, Black Hot, Rainbow, Ironbow, Red Hot, Fusion, Rain, Blue Red                          |
| Focus Mode Palette                    | Above/Below/Interval   |
| Color Alarm                           | Above/Below/Interval/Insulation  |
| Image Modes                           | Infrared/Visual/Fusion/PIP/Blending  |
| <b>Measurement and Analysis</b>       |  |
| Object Temperature Range              | -20°C to 2000°C (-4°F to 3632°F)   |
| Accuracy                              | Max. (± 2°C/3.6°F, ± 2%)   |
| Measurement Tools                     | Center Spot, Hot Spot, Cold Spot<br>User-definable: 10 spots, 1 line, 5 rectangles, and 5 circle |
| Level and Span Mode                   | Auto/Manual/1-Tap Touch-screen   |
| Inspection Route                      | Yes  |
| <b>Data Storage and Communication</b> |  |
| Storage Media                         | Removable 64 GB MicroSD Card   |
| Image Storage Capacity                | Approx. 60,000 Images  |
| Annotations                           | Voice note: max. 60 seconds;<br>Text note: max. 200 characters                                   |
| Video Storage Capacity                | Approx. 54 hours   |
| Video File Format                     | MP4 video<br>and radiometric video   |
| <b>General</b>                        |  |
| Wi-Fi                                 | 802.11 b/g/n (2.4 GHz and 5 GHz)   |
| Bluetooth                             | Bluetooth 4.2  |
| USB Interface                         | USB Type-C   |
| HDMI Interface                        | Yes  |
| Laser                                 | Yes, Class II, Wavelength: 635 nm; Power: < 1 mW   |

|                           |  |
|---------------------------|--|
| Laser Distance Meter      | Indoor distance: 50 m (164 ft);<br>Outdoor distance: 10 m (33 ft). |
| GPS & Compass             | Yes  |
| Battery Type              | Interchangeable and rechargeable Li-ion battery                    |
| Battery Operating Time    | Approx. 4 hours  |
| Battery Charging Time     | Approx. 4 hours fully charged                                      |
| Power Saving Mode         | Yes  |
| Protection Level          | IP54, IEC 60529  |
| Drop Test Height          | 2 m (6.56 ft), IEC 60068-2-31                                      |
| Safety                    | IEC 61010-1  |
| EMC                       | EN 301 489-1, EN 301 489-17, EN IEC 61000-6-2, EN IEC 61000-6-3    |
| Vibration                 | 2 g, IEC 60068-2-6   |
| Shock                     | 25 g, IEC 60068-2-27   |
| Working Temperature Range | -20°C to 50°C (-4°F to 122°F)                                      |
| Storage Temperature Range | -20°C to 60°C (-4°F to 140°F)                                      |
| Relative Humidity         | < 95% non-condensing   |
| Weight                    | Approx. 1058 g (2.33 lb)   |
| Dimension                 | 284.7 mm × 120.6 mm × 124.5 mm (11.21" × 4.75" × 4.9")             |
| Tripod Mounting           | UNC ¼"-20  |
| LED Light                 | Yes  |

### ▪ Available Model

HM-TP76H-25SVF/W-G61H

## ▪ Dimension



Unit: mm [inch]

## ▪ Optional Accessories



HM-G605-LENS1



HM-G620-LENS1



HM-5202ZC2



HM-SP01-POUCH



INR18650-35E-1S2P



HM-701ZJ-G01-SHIELD



HM-G630-LENS1

COMPLIANCE NOTICE: The thermal series products might be subject to export controls in various countries or regions, including without limitation, the United States, European Union, United Kingdom and/or other member countries of the Wassenaar Arrangement. Please consult your professional legal or compliance expert or local government authorities for any necessary export license requirements if you intend to transfer, export, re-export the thermal series products between different countries.

